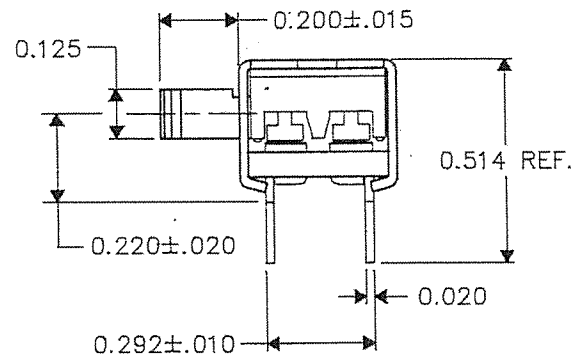
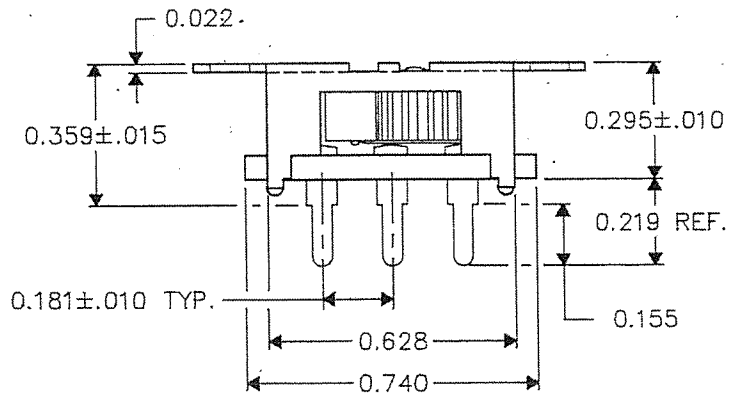
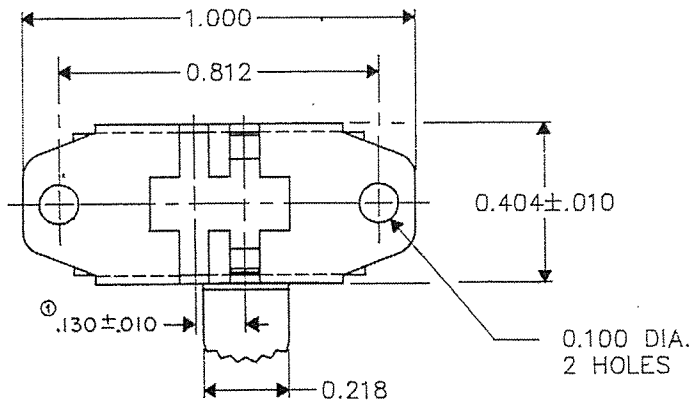


DIMENSIONS IN INCHES (MILLIMETERS)
DO NOT SCALE DRAWING...

Drawing No.
GI-152-0001



B-FORM-8

REVISIONS	
0	RELEASED SPR 11-2-90 NOV 6 1990
1	ADDED .130 ± .010 TO TOP VIEW. DGW 11-30-94 DEC 14 1994 G.G.

ATTENTION
THIS DRAWING AND ITS ATTACHMENT, IF ANY, ARE
PROPRIETARY TO CW INDUSTRIES AND DESCRIBE
DESIGNS THAT ARE CONFIDENTIAL AND MUST NOT
BE DISCLOSED UNLESS AUTHORIZED, IN WRITING,
BY AN OFFICER OF CW INDUSTRIES.....

CW INDUSTRIES
Southampton, Pa. 18966

Title
**SWIDGET
D.P.- D.T.
SYDEWYNDER**

TOLERANCES UNLESS OTHERWISE SPECIFIED
2 Place decimal ±.010 METRIC
3 Place decimal ±.005 1 Place dec. ±.25 MM
Angles: ±1° 2 Place dec. ±.15 MM

Id. No.: SAH0018A
Made for: CW IND.
Drawn by: SPR 11-2-90
Checked by: *SPR 11-6-90*
Approval: *SPR 11-6-90*

Division: SWITCH
Drawing No.
GI-152-0001

MASTER